



**NOTE TO INSTALLER: BEFORE INSTALLATION, PLEASE READ ALL INSTRUCTIONS THOROUGHLY. FAILING TO FOLLOW ANY OF THE FOLLOWING CONDITIONS MAY VOID WARRANTY.**

Prior to installation, the product MUST be inspected for:

- **QUALITY** — Check quality and verify the material is as requested.
- **QUANTITY** — Verify that the quantity is correct prior to starting any installation.
- **COLOR/FINISH** — Verify that the material is the color, finish, and sheen level requested.
- **DYE LOT** — Verify that the material is of one dye lot. **Modern Surface™** does not guarantee different dye lots will match each other.

**Make sure to maintain the building's temperature at 65-85°F (18-29.5°C) all year round. This warranty may be void if you fail to follow this instruction.**

**PRIOR TO INSTALLATION, THE OWNER/INSTALLER IS RESPONSIBLE FOR FINAL INSPECTION. PRODUCT THOUGHT TO HAVE ANY POSSIBLE DEFECT BY THE PERSONS PERFORMING THE INSTALLATION SHOULD BE RETURNED FOR INSPECTION AND POSSIBLE REPLACEMENT. ALL QUESTIONS OF PRODUCT QUALITY, GRADING, OR COLOR/SHEEN LEVEL MUST BE ADDRESSED PRIOR TO INSTALLATION.**

**PRIOR TO INSTALLATION OF SUMMIT RIGID CORE CLICK FLOORING, THE OWNER/INSTALLER MUST DETERMINE THAT THE JOB-SITE ENVIRONMENT AND SUB-SURFACES INVOLVED MEET OR EXCEED ALL APPLICABLE STANDARDS AND REQUIREMENTS WHICH ARE STIPULATED IN THE INSTALLATION INSTRUCTIONS INCLUDED ON EACH CARTON. RECOMMENDATIONS BY THE CONSTRUCTION AND MATERIALS INDUSTRIES, AS WELL AS LOCAL CODES, MUST BE FOLLOWED. THESE INSTRUCTIONS RECOMMEND THAT THE WORK AREA AND SUBFLOOR BE CLEAN, DRY, STIFF, FLAT, AND STRUCTURALLY SOUND. VARIATIONS IN SUBFLOOR ARE NOT TO EXCEED 3/16" IN 10' (5MM IN 3 M) RUN IN ANY DIRECTION. FLOOR MUST BE FLAT PRIOR TO INSTALLATION. ANY RESIDUE OR DEBRIS MUST BE REMOVED BEFORE INSTALLATION. THE FINAL RESPONSIBILITY FOR DETERMINING IF THE SUBFLOOR IS DRY ENOUGH FOR INSTALLATION OF SUMMIT RIGID CORE CLICK FLOORING LIES WITH THE FLOOR COVERING INSTALLER. ALTHOUGH SUMMIT RIGID CORE CLICK PRODUCT IS NOT SUSCEPTIBLE TO DAMAGE FROM MOISTURE, EXCESSIVE SUBFLOOR MOISTURE IS AN IDEAL BREEDING GROUND FOR MOLD, MILDEW, AND FUNGUS. LIMITED WARRANTIES DO NOT COVER DISCOLORATION FROM MOLD, FLOODING, LEAKING PLUMBING OR APPLIANCES, WATER ENTERING THROUGH SLIDING GLASS DOORS, OR SIMILAR CONDITIONS. MAKE SURE THE PANELS ARE MIXED SUFFICIENTLY FROM MULTIPLE CARTONS WHEN INSTALLING SO YOU DO NOT END UP WITH TOO MANY IDENTICAL, LIGHT, OR DARK PANELS NEXT TO EACH OTHER.**

**AFTER INSTALLATION, IT IS THE INSTALLER'S RESPONSIBILITY TO PROVIDE THE HOME OWNER WITH THE CARE AND MAINTENANCE INSTRUCTIONS WHICH ARE INCLUDED ON EACH CARTON. THESE INSTRUCTIONS MUST BE FOLLOWED TO MAXIMIZE THE LIFE OF THE FLOOR.**

Summit Rigid Core Click is constructed with a patented interlocking joint that locks the plank together to form a tight, durable, waterproof joint. Summit Rigid Core Click is installed as a floating floor, so no adhesive is required.

#### **General Information**

- Summit Rigid Core Click is recommended for residential interior use in enclosed rooms with continuously maintained temperatures ranging between 65°F and 85°F. Do not install flooring in areas where wide temperature fluctuations can occur, over sloped floors, ramps, or in wet areas.
- Handle cartons and plank flooring carefully to protect the locking edge profile. Always store and transport cartons neatly stacked on a smooth, flat, solid surface. Do not stack more than 10 cartons high.
- Acclimate the flooring and room(s) at a constant temperature between 65°F and 85°F for 48 hours prior to, during, and continuously after installation.
- Mix planks from several different cartons to ensure a random appearance.
- Always allow a 1/4" expansion space around the entire perimeter of the room, at all base cabinets, fixtures, and pipes. Cover the exposed edges with trim or fill the gap with a high quality acrylic caulking.
- All base cabinets must be installed prior to installing flooring. Do not install base cabinets or island cabinets on top of the floor.
- In a large single room with a length of 40 feet and a width greater than 25 feet, the addition of T-molding expansion joints will be required. When transitioning from an adjacent area into another room (i.e. a hallway into a bedroom), maintain adequate expansion in the doorways by using T-moldings and undercutting the door casings.
- **Protect Summit Rigid Core Click finished installations from prolonged exposure to direct sunlight. Close curtains or blinds where extreme sunlight hits the floor. Prolonged direct sunlight can result in fading and discoloration. Excessive surface temperatures can cause floor expansion that may result in buckling or delamination.**
- **Summit Rigid Core Click is not conducive to heavy rolling loads.**

#### **Preparing the Area**

- Remove all furniture and appliances from the room(s).
- Remove wall and doorway trim.
- Always undercut wood door casings.

## Subfloor Recommendations

Summit Rigid Core Click can be installed over a variety of subfloor surfaces including concrete on all grade levels, wood sub-floors, and many existing hard surface floors. The subfloors must be clean, smooth, flat, solid, dry, and properly prepared. Do not install planks over floors that are sloped for drainage or uneven floors where deviations are greater than 3/16" in 10' or 1/16" in 1'. Subfloor deflection should not exceed 1/360 of the span. Uneven or wavy floors should be leveled with portland cement based patching compound.

### Wood Subfloors

Summit Rigid Core Click is suitable for installation over double-layer wood subfloors a minimum of 1" thick. Single-layer subfloors constructed with APA rated plywood panels, 23/32" or heavier, should be covered with a minimum 1/4" underlayment. Joist spacing should not exceed 19.2". Summit Rigid Core Click can be installed over underlayment grade plywood, Lauan plywood, and other underlayment products that are recommended by the manufacturer for use with vinyl flooring. Install underlayment according to the manufacturer's installation instructions.

### Concrete Subfloors

Summit Rigid Core Click can be installed over concrete on all grades. Moisture vapor emissions should not exceed 5 lbs. per 1,000 sq. ft. per 24-hr period when tested with the Anhydrous Calcium Chloride Test in accordance with ASTM F 1869, or 95% RH with In Situ probes in accordance with ASTM F 2170. Fill cracks, saw cuts, and control joints. Level wavy floors or uneven areas that exceed 3/16" in 10' or 1/16" in 1'. Do not install flooring over expansion joints.

### Radiant Heated Systems

Summit Rigid Core Click can be installed over in-floor radiant heating systems provided the subfloor surface does not exceed 85°F at any point. The initial floor temperature should not exceed 70°F for 24 hours prior to and 48 hours after installation. Thereafter, the temperature should be gradually increased to the desired setting, up to 85°F. Radiant heating systems that are installed on top of the subfloor surface must be covered with a minimum 3/4" concrete topping.

### Existing Flooring

Summit Rigid Core Click can be installed over a variety of finished floors including single-layer resilient sheet floor and tile, ceramic, marble, and terrazzo. The surface must be in good condition with no indication of excessive moisture or moisture damage. Do not install flooring over heavy cushioned floors, cushioned backed floors, or over tile installed over concrete below grade level. Level deep or wide grout lines with embossing leveler. The grout joints in ceramic tile and marble must be flush with the tile surface. Additionally, the tile may require several skim coats to achieve a flat surface.

### Asbestos Warning

**WARNING:** DO NOT SAND, DRY SWEEP, DRILL, SAW, BEADBLAST, OR MECHANICALLY CHIP OR PULVERIZE EXISTING RESILIENT FLOORING, BACKING, LINING FELT, ASPHALTIC "CUT-BACK", OR OTHER ADHESIVE. THESE PRODUCTS MAY CONTAIN ASBESTOS FIBERS AND/OR CRYSTALLINE SILICA. AVOID CREATING DUST. INHALATION OF SUCH DUST IS A CANCER AND RESPIRATORY TRACT HAZARD.

## Installation

For best appearance planks should be installed parallel to the long dimension of the room and preferably parallel with outside light sources, i.e. windows and doors.

Measure the width of the room and snap a chalk line down the center of the floor. Determine the width of the plank in the last row either through measurements or dry layouts. If smaller than one-half of the plank width, adjust the chalk line one-half of the plank width in either direction to achieve larger cut planks at the side walls. Snap a second chalk line by measuring from the center line over toward the starting wall. Use a multiple of the plank width to establish the starting line for the first rows of planks.

Start the installation in the left-hand corner of the room with the edge of the plank accurately positioned at the chalk line, with the tongue side and end toward the starting wall. If necessary, trim the plank to fit to the wall allowing a 1/4" expansion space. If starting the first row with a whole plank width, it will be necessary to trim the tongue off against the wall. Always place the cut edge against the wall.

To trim planks use a utility knife and a straight edge. Score the top surface of the plank and flex it downward to separate the pieces.

Attach the end joints of the planks in the first row by inserting the tongue into the groove while holding the plank at a 10° to 15° angle to the floor. Apply light pressure inward and down until the planks lock together (Fig. 1). Use spacers in the first row between the edge and end of the planks and the wall to maintain a 1/4" expansion space.

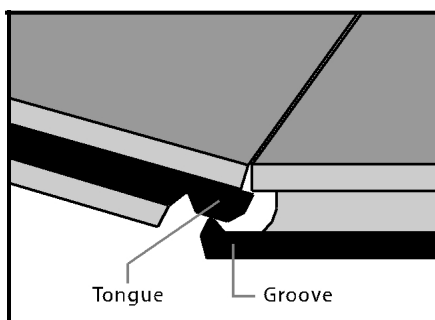


Fig. 1

Start the second row using 1/3rd of a plank (Fig. 2).

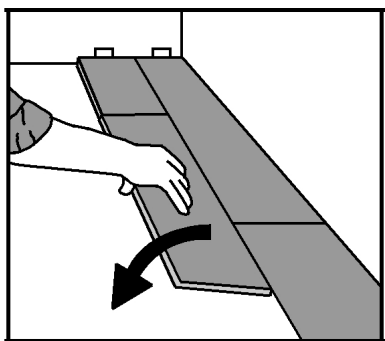


Fig. 2

Place the cut end against the wall. Insert the tongue on the long side of the plank into the groove of the plank in the first row. Hold the plank in a 10° to 15° angle while applying light pressure inward and down until they lock together. To complete the second and all successive rows it will be necessary to lock the short end into the previous plank first before locking the long side of the plank. Angle the plank and push the tongue into the groove until the tongue locks into place. It may be necessary to lift both planks slightly to lock the long joint together. Complete the second row allowing a 1/4" expansion space at the end of the row.

Start the third row using 2/3 of a plank with the cut end against the wall. Complete each row thereafter using a random layout with end joints off-set by at least 8". Plan the layout to avoid using small planks (less than 6") at the walls. The cut piece at the end of the row can often be used to start the next row, provided it achieves a random layout. Always place the cut end against the wall and allow a 1/4" expansion space.

Summit Rigid Core Click, uniquely, can be installed easily when working forward (placing the tongue in to the groove) or backward (placing the groove in to the tongue). This allows for easy fitting around door trim and changing direction to go into alcoves or adjoining rooms.

Summit Rigid Core Click can also be assembled by using a pull bar or tapping block in difficult areas, such as the last row and when fitting around door trim. Use a pull bar to lock the joints together in the last row (Fig. 3).

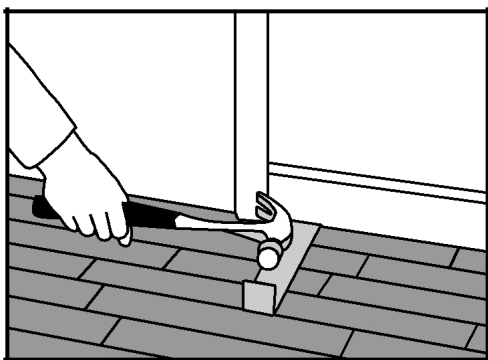


Fig. 3

Always use a pull bar on the cut edge of the plank. Factory edges can be damaged if the pull bar is used directly against them.

When fitting around door trim it will be necessary to slide the plank under the trim. This can be accomplished by starting the row on the side of the room with the door trim and then sliding the plank into place once it is attached. The row can be completed by inserting the tongue in to the groove or the groove into the tongue, depending on the direction. A tapping block can also be used to lock the joints together while the planks are in a flat position. Use a piece of scrap flooring with the corresponding joint male or female and a series of light taps until the joint is gradually locked together. Do not hit the edge directly or use excessive force as it could damage the edge of the plank.

### Special Instructions

#### Bathrooms

When Summit Rigid Core Click is installed in a bathroom, the flooring can be laid under the toilet provided that the floor is separated from adjacent rooms with a doorway thresh-old or transition molding. Otherwise, the flooring should be fit around the toilet leaving a 1/8" expansion space. Use a high quality acrylic caulking to fill the expansion space at the toilet, bathtub, shower, and all wet areas to prevent surface water from seeping under the floor.

#### Stairs

Summit Rigid Core Click can be installed over stairs using full spread adhesive. Follow the instruction on the adhesive for trowel size and drying time. Always use a stair nose molding to finish each step.

#### Finishing the Job

Remove all spacers. Install door and wall trim with a minimal space so trim does not pin or restrict the floor from moving. Drive fasteners into the wall, not the floor. When installing doorway transition moldings, allow a 1/4" expansion space between the edge of the floor and the molding fasteners. Do not drive fasteners in to the floor. **Modern Surface™** corresponding transitions and stair nose are available and should be installed with a construction grade adhesive.

Return appliances to the room by rolling or sliding over strips of cardboard to prevent damaging the floor.

## Repairs

Summit Rigid Core Click is a tough, durable floor; however, if a plank becomes damaged it can be replaced.

Damaged planks along the wall can be replaced by unlocking the planks in that area and then re-installing them after the replacement plank is installed. Follow the instructions below for replacing a plank in the body of the floor.

- Use a straight edge and utility knife to make a cut down the center of the damaged plank to within 2" of the ends.
- Make diagonal cuts from the corner of the plank back to the center cut.

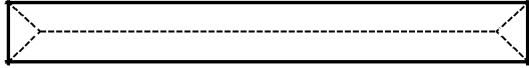


Fig. 4

- Remove the damaged plank by lifting the edge of each piece until it unlocks.
- Prepare the replacement plank by removing the bottom of the groove along the long and short side. Check the replacement piece by laying it into place. The plank should fit neatly into place without gaps at the joints. Remove the plank.
- Before completing the repair, place a 2" wide strip of wax paper centered under the edge of the tongue on the long and short side. This will prevent adhesive from bonding the plank to the subfloor.
- Next, apply a 1/8" bead of Loctite Power Grab clear, heavy-duty construction adhesive to the exposed groove along the long and short end of the surrounding planks. Do not use excessive adhesive.
- Immediately, while adhesive is wet, install the replacement plank by inserting the tongue into the groove along the long side. Use a tapping block to lock the short end and then drop the plank into position. Remove excess adhesive from the surface and roll the edges with a steel hand roller. Clean the surface immediately with a clean cloth and mild detergent to remove any adhesive residue. Dry the surface with a clean, soft cloth. Note: adhesive and adhesive film is not removable if allowed to dry on the surface of the floor. Apply weight to the adhered edges for 20 to 30 minutes.
- Keep traffic off the repair for 12 hours.